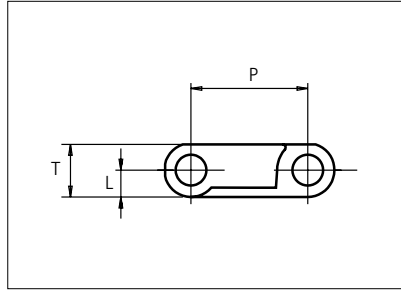


Plastic Modular Belt

Series **uni Light** Type **10%**



Straight running belt
 Nominal pitch: 19.1 mm (0.75 in)
 Surface type: Flat
 Surface opening: 10%
 Backflex radius: 25.0 mm (2.0 in)
 Pin diameter: \varnothing 5.0 mm (0.20 in)

Belt material & color	POM-LF BR	mm	in	mm	in		
Pin material & color	PP W	P (Nominal)	19.1	0.75	T	8.5	0.33
		L	4.3	0.17	-	-	-

Non standard material and color: See uni Material and Color Overview.

Alternative pin and lock materials: Pin: PE **W** PP **W** PA6.6 **N** **B** PBT **LG** SS304 **W** Lockpin: PBT **LG** PA6.6 **D** **N** PP **W** **B**

Belt width		Permissible tensile force (Belt/pin material)		Belt weight (Belt/pin material)		*Min. No. drive sprocket per shaft	Number of wear strips (Min. No.)	
		POM-LF/PP		POM-LF/PP			**Carry (pcs)	**Return (pcs)
mm	in	N	lbf	kg/m	lb/ft			
77	3.0	789	177	0.5	0.32	2	2	2
115	4.5	1175	264	0.7	0.48	2	2	2
153	6.0	1572	353	1.0	0.64	2	2	2
230	9.0	2355	529	1.4	0.96	2	2	2
306	12.1	3138	705	1.9	1.28	3	3	2
383	15.1	3921	881	2.4	1.59	3	3	2
459	18.1	4704	1057	2.8	1.91	4	4	2
535	21.1	5486	1233	3.3	2.23	4	4	2
612	24.1	6269	1409	3.8	2.55	5	5	3
688	27.1	7052	1585	4.3	2.87	5	5	3
764	30.1	7835	1761	4.7	3.19	6	6	3
841	33.1	8618	1937	5.2	3.50	6	6	3
917	36.1	9401	2113	5.7	3.82	7	7	4

Additional standard belt widths are available in steps of 76.4 mm (3.01 in.) Additional non-standard belt widths are available in steps of 19.1 mm (0.75 in.)

1910	75.2	19578	4401	11.8	7.96	13	13	7
------	------	-------	------	------	------	----	----	---

Additional standard belt widths are available in steps of 76.4 mm (3.01 in.) Additional non-standard belt widths are available in steps of 19.1 mm (0.75 in.)

2980	117.3	30545	6867	18.5	12.42	20	20	10
------	-------	-------	------	------	-------	----	----	----

General belt tolerance is +0/-0.4% at 23°C/73°F and 50% RH. For exact belt width contact Customer Service. Non standard belt width on request.

*Max. Load per Drive Sprocket. Belt material: POM-LF 1250 N

**Max. Spacing between wear strips, Carry: 152 mm (6 in); Return: 304 mm (12 in)

= Single Link

Any questions? Please contact us.

Morskate Aandrijvingen BV
 Oosterveldsingel 47A
 7558 PJ Hengelo (Ov)
 The Netherlands

NL
 T +31 (0)74 - 760 11 11
 info@morskateaanrijvingen.nl
 www.morskateaanrijvingen.nl

DE
 T +49 692 - 222 34 95
 info@morskateantriebstechnik.de
 www.morskateantriebstechnik.de

EN
 T +31 (0)74 - 760 11 11
 info@morskatedrivetechnology.com
 www.morskatedrivetechnology.com

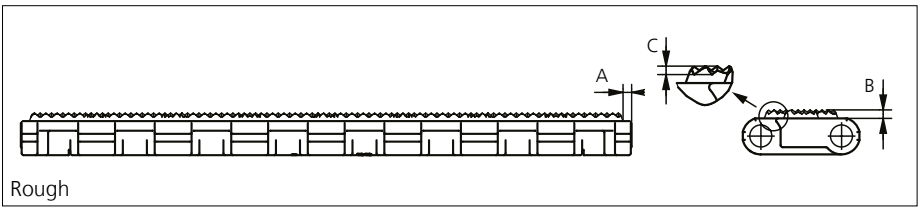
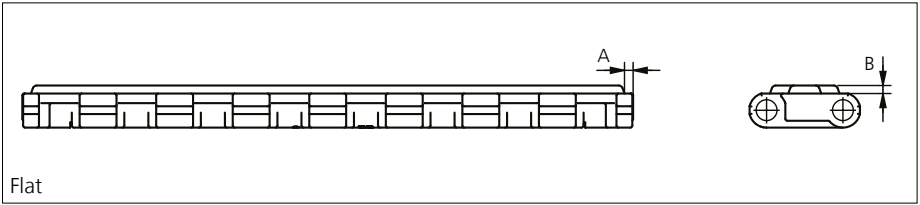
STANDARD

STRAIGHT RUNNING

PITCH 19.1 MM/0.75 IN

Accessories

Rubber Top

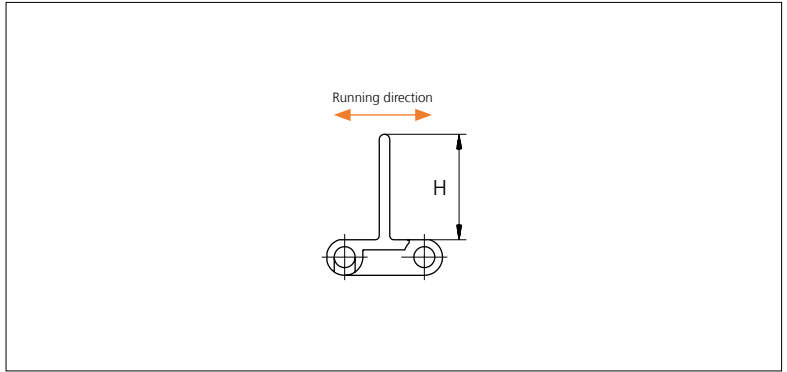
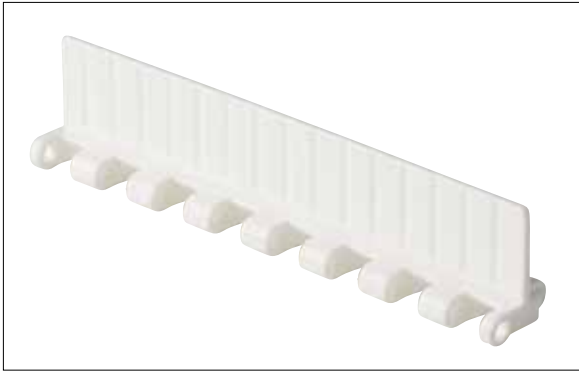


Type	Belt Material & color	Rubber Material & color	A		B		C		Link size	Width	
			mm	in	mm	in	mm	in		mm	in
Flat	PP K	03 K	2.0	0.08	2.0	0.08	1.0	0.04	K600	150.5	5.93
Rough											

Other Non Standard Rubber profiles: See uni Rubber Profile Overview.

Accessories

Flight

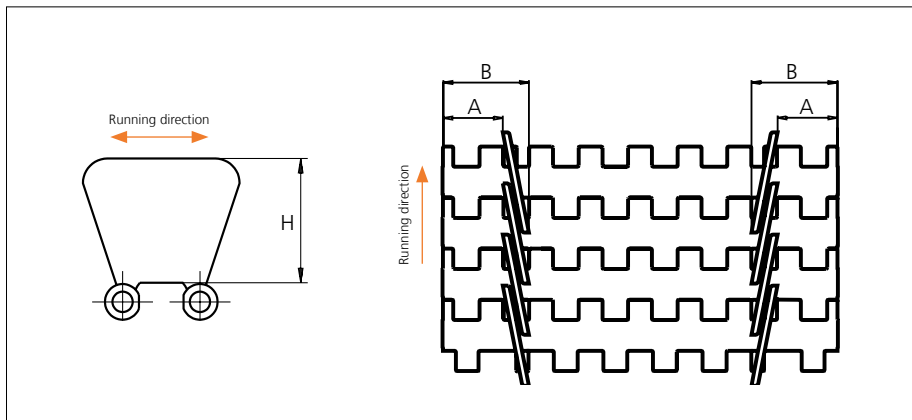


Type	Flight Material & color	H		Link size	Width		Indent	
		mm	in		mm	in	mm	in
Non Stick	PP-I W	25.4	1.00	K300	76.4	3.01	0.0	0.00
	PP-I W G							
	PA6 K 04 K							
Non Stick	PP-I W G PA6 K	25.4	1.00	K600	152.8	6.02	15.0	0.59
Non Stick/Support Ribs	PP-I W	25.4	1.00	K600	152.8	6.02	0.0	0.00
Non Stick/Support Ribs	PP-I W G PA6 K	50.8	2.00	K600	152.8	6.02	0.0	0.00
Non Stick/Support Ribs	PP-I G PA6 K	50.8	2.00	K600	152.8	6.02	15.0	0.59
Non Stick/Support Ribs	PP-I W G 04 K	76.2	3.00	K600	152.8	6.02	0.0	0.00
Non Stick/Support Ribs	PP-I W G	76.2	3.00	K600	152.8	6.02	15.0	0.59

Other Non Standard material and color: See uni Material and Color Overview.

Accessories

Side Guard

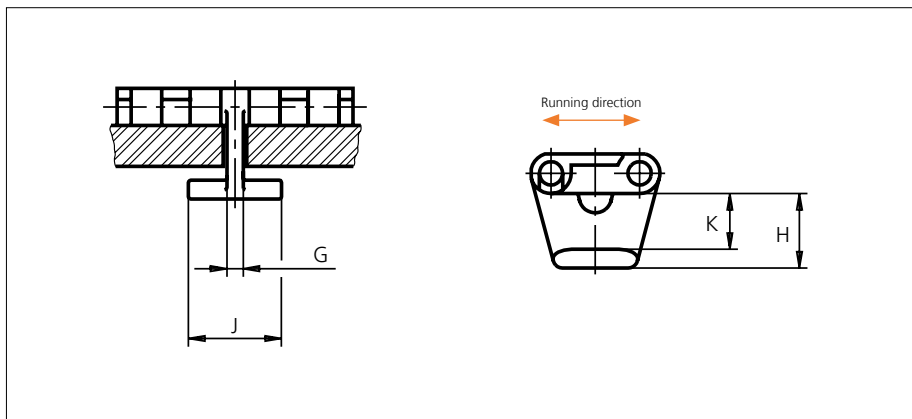


Type	Side Guard Material & color	H		A		B	
		mm	in	mm	in	mm	in
Closed	PP-I W G	31.4	1.24	15.0	0.59	25.0	0.98

Non Standard material and color: See uni Material and Color Overview.

Accessories

Tab




Type	Tab Material & color	G		J		K		H	
		mm	in	mm	in	mm	in	mm	in
Bottom Hold Down	POM-D W	3.5	0.14	20.0	0.79	11.7	0.46	15.9	0.63

Non Standard material and color: See uni Material and Color Overview.

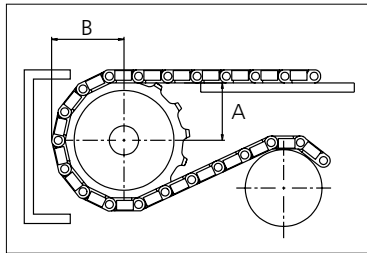
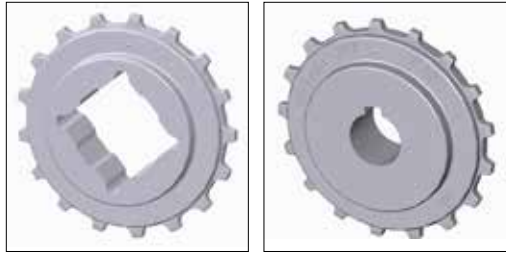
Any questions? Please contact us.

Sprocket

No of teeth	Bore size													Overall diameter		Pitch-diameter		Hub-diameter		A-dimension		B-dimension		Single row/Two way	Double row/Two way	Molded PA6 LG	Machined PA6 
	Pilot bore	in	0.75	0.78	0.98	1.00	1.18	1.25	1.50	1.57	2.36	2.50	3.54														
	mm	19.1	20.0	25.0	25.4	30.0	31.8	38.1	40.0	60.0	63.5	90.0	mm	in	mm	in	mm	in	mm	in							
Z07	x	●	●									42.6	1.68	43.9	1.73	30.0	1.18	15.4	0.61	26.3	1.04	x		x			
Z10	x				●	●						61.7	2.43	61.6	2.43	45.0	1.77	25.0	0.98	35.2	1.39	x		x			
Z17	x			●	●	●	●	■	■			105.0	4.13	103.7	4.08	65.0	2.56	46.6	1.83	56.2	2.21	x		x			
Z24	x				●	●	●	■	■	●		147.2	5.80	146.0	5.75	70.0	2.76	68.0	2.68	77.3	3.04	x		x			
Z25	x					●	●	●	●	■	■	153.3	6.04	152.0	5.98	70.0	2.76	71.0	2.80	80.3	3.16	x		x			

■ Molded sprocket

● Molded sprocket



Other sprocket sizes are available upon request.
 Two-part sprocket are available upon request.
 Round bores are always delivered with keyway.
 Other bore sizes are available upon request.
 uni Retainer Rings: See uni Retainer Ring data sheet.
 Width of tooth = 4.8 mm (0.19 in)
 Width of sprocket = 25.0 mm (0.98 in)

Max load per sprocket shown does not take bore size into account.
 Please also ensure that sufficient size shaft is chosen for corresponding load.

For correct sprocket position: See uni Assembly Instructions for uni Light.
 For more detailed sprocket information, contact Customer Service.

Non standard material and color: See uni Material and Color Overview.

Any questions? Please contact us.

Morskate Aandrijvingen BV
 Oosterveldsingel 47A
 7558 PJ Hengelo (Ov)
 The Netherlands

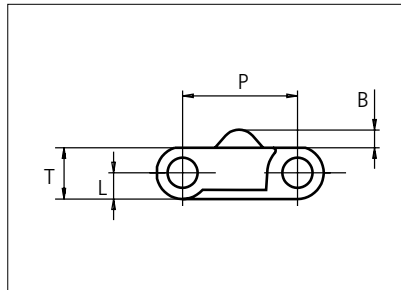
NL
 T +31 (0)74 - 760 11 11
 info@morskateaanrijvingen.nl
 www.morskateaanrijvingen.nl

DE
 T +49 692 - 222 34 95
 info@morskateantriebstechnik.de
 www.morskateantriebstechnik.de

EN
 T +31 (0)74 - 760 11 11
 info@morskatedrivetechnology.com
 www.morskatedrivetechnology.com

Plastic Modular Belt

Series **uni Light** Type **10% SR**



Straight running belt
 Nominal pitch: 19.1 mm (0.75 in)
 Surface type: Small Rib
 Surface opening: Closed
 Backflex radius: 25.0 mm (1.0 in)
 Pin diameter: \varnothing 5.0 mm (0.20 in)

Recommended Belt material & color	POM-LF G		mm	in		mm	in
		P (Nominal)	19.1	0.75	T	8.5	0.33
Recommended Pin material & color	PA6.6 N						
		L	4.3	0.17	B	3.0	0.12

Non standard material and color: See uni Material and Color Overview.

Alternative pin and lock materials: Pin: PE **W** PP **W** PA6.6 **N** **B** PBT **LG** SS304 PP **W** Lockpin: PBT **LG** PA6.6 **D** **N** PP **W** **B**

Belt width		Permissible tensile force (Belt/pin material)		Belt weight (Belt/pin material)		*Min. No. drive sprocket per shaft	Number of wear strips (Min. No.)	
		POM-SLF/PA6.6		POM-SLF/PA6.6			**Carry (pcs)	**Return (pcs)
mm	in	N	lbf	kg/m	lb/ft			
77	3.0	789	177	0.5	0.32	2	2	2
153	6.0	1572	353	1.0	0.64	2	2	2
230	9.0	2355	529	1.4	0.96	2	2	2
306	12.1	3138	705	1.9	1.28	3	3	2
383	15.1	3921	881	2.4	1.59	3	3	2
459	18.1	4704	1057	2.8	1.91	4	4	2
535	21.1	5486	1233	3.3	2.23	4	4	2
612	24.1	6269	1409	3.8	2.55	5	5	3
688	27.1	7052	1585	4.3	2.87	5	5	3
764	30.1	7835	1761	4.7	3.19	6	6	3
841	33.1	8618	1937	5.2	3.50	6	6	3
917	36.1	9401	2113	5.7	3.82	7	7	4
994	39.1	10184	2289	6.2	4.14	7	7	4

Additional standard belt widths are available in steps of 76.4 mm (3.01 in.) Additional non-standard belt widths are available in steps of 19.1 mm (0.75 in.)

1910	75.2	19578	4401	11.8	7.96	13	13	7
------	------	-------	------	------	------	----	----	---

Additional standard belt widths are available in steps of 76.4 mm (3.01 in.) Additional non-standard belt widths are available in steps of 19.1 mm (0.75 in.)

2980	117.3	30545	6867	18.5	12.42	20	20	10
------	-------	-------	------	------	-------	----	----	----

General belt tolerance is +0/-0.4% at 23°C/73°F and 50% RH. For exact belt width contact Customer Service. Non standard belt width on request.

*Max. Load per Drive Sprocket. Belt material: POM-LF 1250 N

**Max. Spacing between wear strips, Carry: 152 mm (6 in.); Return: 304 mm (12 in.)



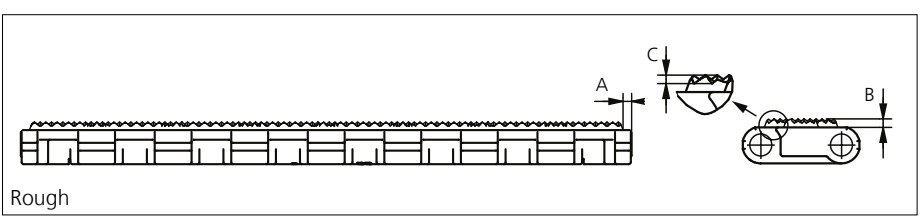
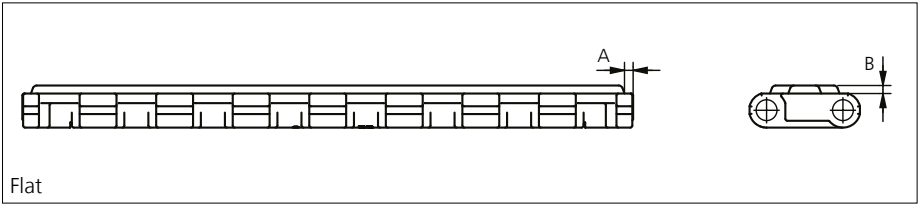
NON STANDARD

STRAIGHT RUNNING

PITCH 19.1 MM/0.75 IN

Accessories

Rubber Top

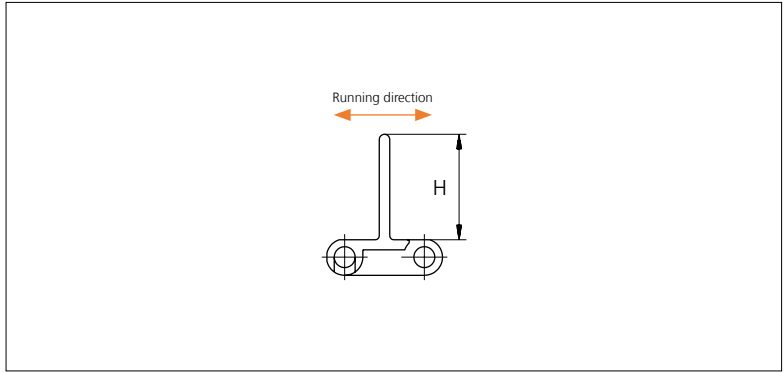
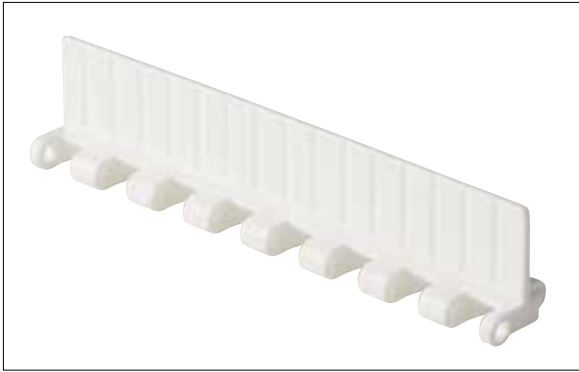


Type	Belt Material & color	Rubber Material & color	A		B		C		Link size	Width	
			mm	in	mm	in	mm	in		mm	in
Flat	PP K	03 K	2.0	0.08	2.0	0.08	1.0	0.04	K600	150.5	5.93
Rough											

Other Non Standard Rubber profiles: See uni Rubber Profile Overview.

Accessories

Flight

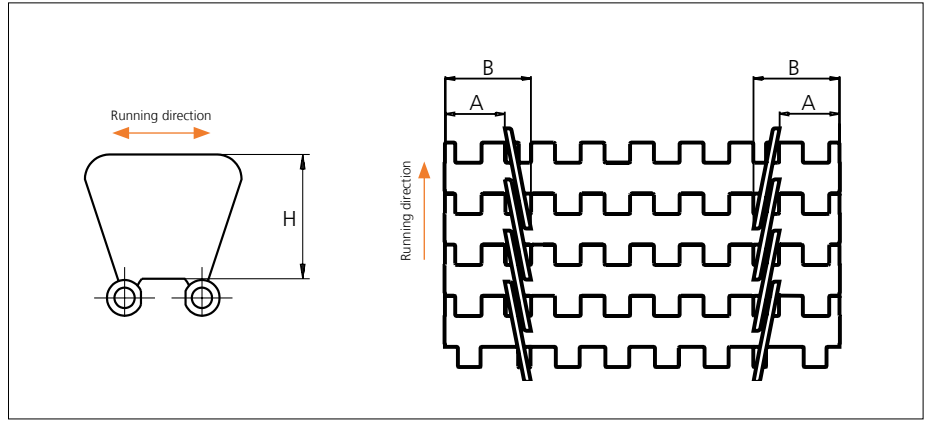


Type	Flight Material & color	H		Link size	Width		Indent	
		mm	in		mm	in	mm	in
Non Stick	PP-I W	25.4	1.00	K300	76.4	3.01	0.0	0.00
	PP-I W G							
	PA6 K 04 K							
Non Stick	PP-I W G PA6 K	25.4	1.00	K600	152.8	6.02	15.0	0.59
Non Stick/Support Ribs	PP-I W	25.4	1.00	K600	152.8	6.02	0.0	0.00
Non Stick/Support Ribs	PP-I W G PA6 K	50.8	2.00	K600	152.8	6.02	0.0	0.00
Non Stick/Support Ribs	PP-I G PA6 K	50.8	2.00	K600	152.8	6.02	15.0	0.59
Non Stick/Support Ribs	PP-I W G 04 K	76.2	3.00	K600	152.8	6.02	0.0	0.00
Non Stick/Support Ribs	PP-I W G	76.2	3.00	K600	152.8	6.02	15.0	0.59

Other Non Standard material and color: See uni Material and Color Overview.

Accessories

Side Guard

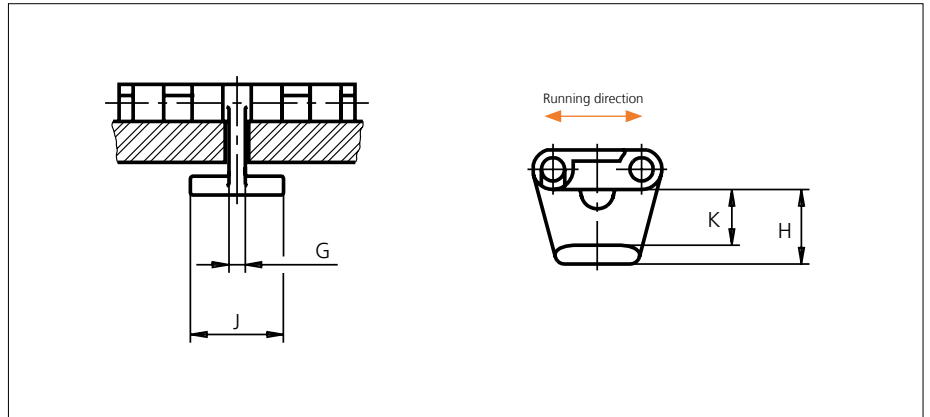


Type	Side Guard Material & color	H		A		B	
		mm	in	mm	in	mm	in
Closed	PP-I W G	31.4	1.24	15.0	0.59	25.0	0.98

Non Standard material and color: See uni Material and Color Overview.

Accessories

Tab



Type	Tab Material & color	G		J		K		H	
		mm	in	mm	in	mm	in	mm	in
Bottom Hold Down	POM-D W	3.5	0.14	20.0	0.79	11.7	0.46	15.9	0.63

Non Standard material and color: See uni Material and Color Overview.

Any questions? Please contact us.

Morskate Aandrijvingen BV

Oosterveldsingel 47A
7558 PJ Hengelo (Ov)
The Netherlands

NL

T +31 (0)74 - 760 11 11
info@morskateaandrijvingen.nl
www.morskateaandrijvingen.nl

DE

T +49 692 - 222 34 95
info@morskateantriebstechnik.de
www.morskateantriebstechnik.de

EN

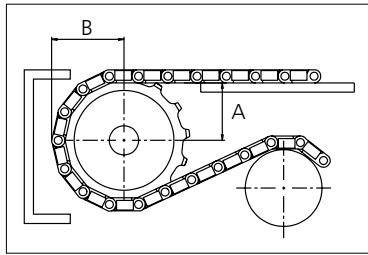
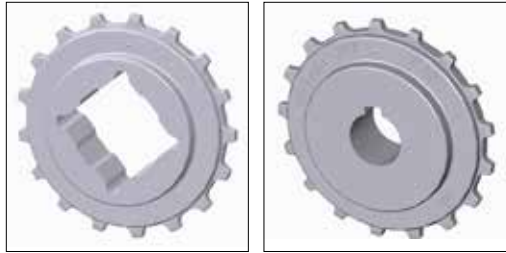
T +31 (0)74 - 760 11 11
info@morskatedrivetechnology.com
www.morskatedrivetechnology.com

Sprocket

No of teeth	Bore size													Overall diameter		Pitch-diameter		Hub-diameter		A-dimension		B-dimension		Single row/Two way	Double row/Two way	Molded PA6 LG	Machined PA6
	Pilot bore																										
		mm	in	0.75	0.78	0.98	1.00	1.18	1.25	1.50	1.57	2.36	2.50	3.54	mm	in	mm	in	mm	in	mm	in					
Z07	x		●	●										42.6	1.68	43.9	1.73	30.0	1.18	15.4	0.61	26.3	1.04	x		x	
Z10	x					●	●							61.7	2.43	61.6	2.43	45.0	1.77	25.0	0.98	35.2	1.39	x		x	
Z17	x				●	●	●	●	■	■				105.0	4.13	103.7	4.08	65.0	2.56	46.6	1.83	56.2	2.21	x		x	
Z24	x					●	●	●	■	■	●			147.2	5.80	146.0	5.75	70.0	2.76	68.0	2.68	77.3	3.04	x		x	
Z25	x						●	●	●	●	■	■		153.3	6.04	152.0	5.98	70.0	2.76	71.0	2.80	80.3	3.16	x		x	

■ Molded sprocket

● Molded sprocket



Other sprocket sizes are available upon request.
 Two-part sprocket are available upon request.
 Round bores are always delivered with keyway.
 Other bore sizes are available upon request.
 uni Retainer Rings: See uni Retainer Ring data sheet
 Width of tooth = 4.8 mm (0.19 in)
 Width of sprocket = 25.0 mm (0.98 in)

Max load per sprocket shown does not take bore size into account.
 Please also ensure that sufficient size shaft is chosen for corresponding load.

For correct sprocket position: See uni Assembly Instructions for uni Light.
 For more detailed sprocket information, contact Customer Service.

Non standard material and color: See uni Material and Color Overview.

Any questions? Please contact us.

Morskate Aandrijvingen BV
 Oosterveldsingel 47A
 7558 PJ Hengelo (Ov)
 The Netherlands

NL
 T +31 (0)74 - 760 11 11
 info@morskateaandrijvingen.nl
 www.morskateaandrijvingen.nl

DE
 T +49 692 - 222 34 95
 info@morskateantriebstechnik.de
 www.morskateantriebstechnik.de

EN
 T +31 (0)74 - 760 11 11
 info@morskatedrivetechnology.com
 www.morskatedrivetechnology.com